



ISLAND
PELLET
STOVES



A great leap forward for pellet stoves



ISLAND PELLETT STOVES

- **Convenient**
- **Safe**
- **Quiet**
- **Up to 93% Efficient**
- **Odourless**
- **Easy To Use**
- **Attractive Flame**
- **No Mess**
- **Fully Automatic**
- **Remote Controlled**

Welcome to Island Pellet Stoves. A British company designing and manufacturing an innovative range of World Class, super efficient stoves from our modern facility in South Wales.

Our stoves are extremely easy to use, convenient and their controllability is unrivalled. Simply set the stove with the remote control or your smartphone and it does all the rest including self-lighting and automatic self-cleaning when required.

We offer fully automatic wood-pellet stoves which range in heat output from 5kW to 8kW with the choice of room heating only or our unique Super Heat Exchanger model which provides domestic hot water and runs radiators.

We offer full technical support in the UK for our stoves including help with installation and customer support.



Our stoves are innovative and incorporate many unique features including:

- Easy, convenient to light and use with no mess
- Whisper Silent - super quiet performance
- Excellent Flame Pattern - dancing flames that are simply eye catching
- Super Efficient - independently tested achieving the highest levels of efficiency in the market place today - **up to 93% efficient***
- Just one simple button press to start either on the remote control or digital display panel on the side of the stove
- Robust construction - 10mm thick solid steel top plate
- Compact Size - fits into a standard fireplace opening, inglenook setting or can be free

standing in a room

- 10 Year Warranty on the steel body
- Quickly ignites with virtually instant heat
- Auto Cleaning System - automatically occurs when required
- Cost Effective To Run - considerably cheaper than conventional heating fuels
- No Woody Odours - just pure clean heat
- CE Marked - Tested & Approved to EN 14785:2006
- DEFRA Approval Pending - tested & passed for use in Smoke Controlled Areas

*LUNDY8 Model Rating



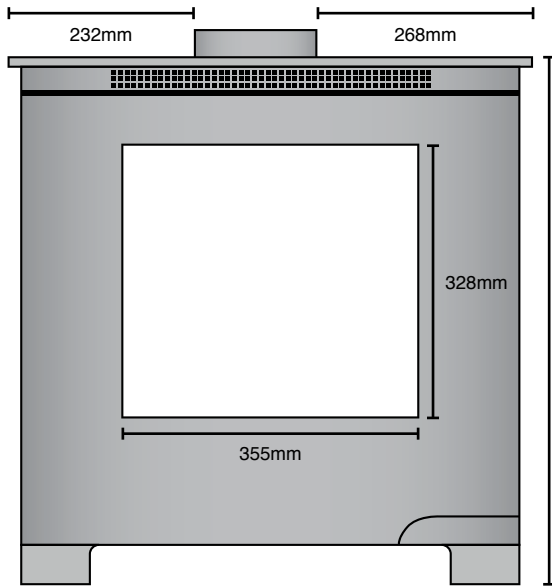
Digital Display Control Panel



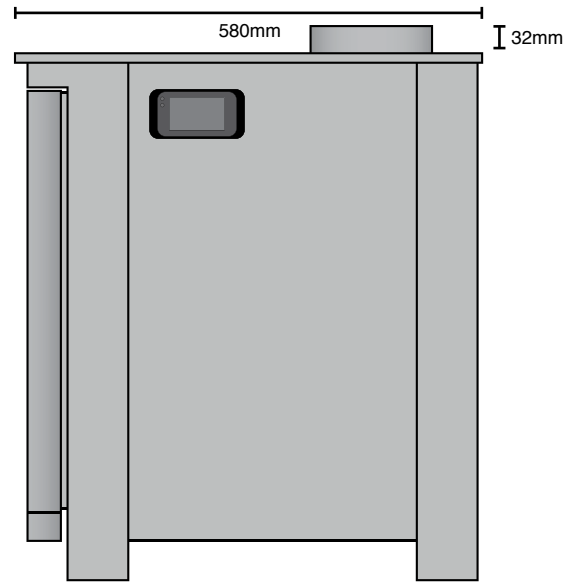
Remote Controlled



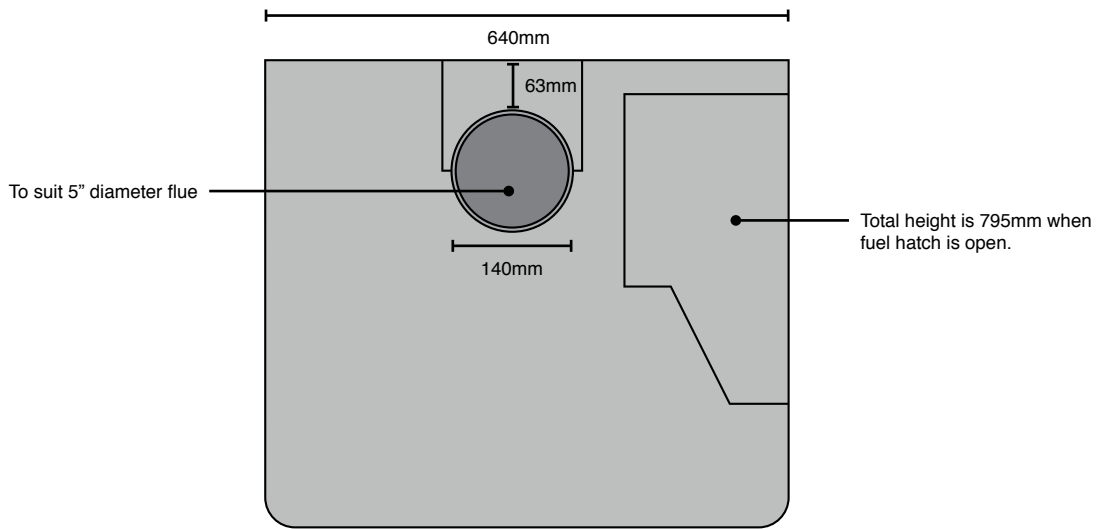
Optional Smartphone App



Front View



Side View



Top View



	Lundy 5kW Model	Lundy 8kW Boiler Model
MODEL	LUNDY5	LUNDY8
NOMINAL HEAT OUTPUT		
AIR	4.9kW to room	4.2kW to room
BOILER	N/A	3.8kW to water
EFFICIENCY		
NET EFFICIENCY (Nominal / Reduced)	82% / 79.6%	83.1% / 92.9%
KEY DIMENSIONS		
HEIGHT	650mm	650mm
WIDTH	640mm	640mm
DEPTH	580mm	580mm
WEIGHT	110kg	120kg
OTHER		
FLUE SPIGOT	125mm (5")	125mm (5")
CLEARANCE TO COMBUSTIBLES (REAR & SIDE / FRONT)	100mm / 300mm	100mm / 300mm

FUEL
Wood Pellet
EFFICIENCY ^(net)
93% - Heat exchanger model 82% - Air heat only model
FLUE OUTLET
Suits 5" single/twin wall or 4" concentric twin wall flue
RATED OUTPUT
Stove 4.9kW, Boiler 8kW (of which 3.8kW to water)
WEIGHT
5kW = 110kg - 8kW = 120kg
DISTANCE TO COMBUSTIBLES
Rear - 100mm / Side - 100mm



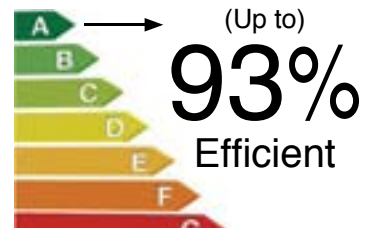
10 YEAR GUARANTEE

The steel body and the associated steel components are covered by our 10 year guarantee. All electrical components are covered by 12 months parts only warranty. Consumable parts are excluded such as the vermiculite board, rope seals and glass.

Technical Features:

- Remote control comes as a standard option feature
- Digital display panel on the side of the stove to control all features
- Smartphone App available so you can control the stove from anywhere, so you can come home to a lovely warm house and a tank full of hot water
- Double glazed self-cleaning glass with "Clean Air Wash" to help ensure clean glass
- Minimal annual maintenance - no costly expensive servicing
- Unique cold to hot air heat exchanger for maximum heat output in to your room
- Hot water model with super efficient air to water "Super Heat Exchanger" which can be easily retrofitted directly into the standard air heat model
- Ideal for use in passive Eco housing such as passivehaus
- Fanless "Super Heat Exchanger" that makes it extremely quiet and the option of a concentric flue version so that a separate air supply pipe is not required
- Flued directly from the top using an innovative airflow control system, making it straightforward to install in a fireplace
- Easy to fill pellet hopper with a 15kg capacity
- Stainless Steel Ash Riddle - simple and easy push / pull mechanism
- Simple Removal Of Ash - just vacuum away or optional ash pan available
- Fully tested with over 5 years of field trials which ensure this stove has been tried and tested to guarantee you years of hassle free heat
- Super Safe To Use - inherently safe, the inbuilt control computer monitors the stove performance & will automatically shut the stove down if a problem occurs, such as a power cut. An optional on board battery pack is available
- Thermostatically controlled so once your room gets to the required temperature the stove automatically adjusts its heat output
- Designed & Manufactured In The UK - A **Great British** product

Dealer Info:



High Efficiency

With novel heat exchanger model resulting in the highest efficiency on the market.



Self Cleaning Glass

Air wash system creating a barrier of air between the double glazed glass and the flames.



Fully Automatic & Safe

The stove has remote control, automatic fuelling and ignition, timers and thermostat control.



Quiet & Easy Operation

Quality sealed motors and unique heat exchanger design mean a quiet operation.



Wood Pellet Fuel

More efficient and sustainable than conventional logs, available in easy single bags or in bulk.



Easy Ash Emptying

No dirty hands - Simply vacuum on a monthly basis.



EN 14785:2006

